

Features

- Pressure to 38,000 psi*
- Durable and Compact
- Splash or Pressurized Lubrication Systems
- Easy Field Maintenance
- High Output Efficiency
- Corrosion Resistant Hardware

Applications

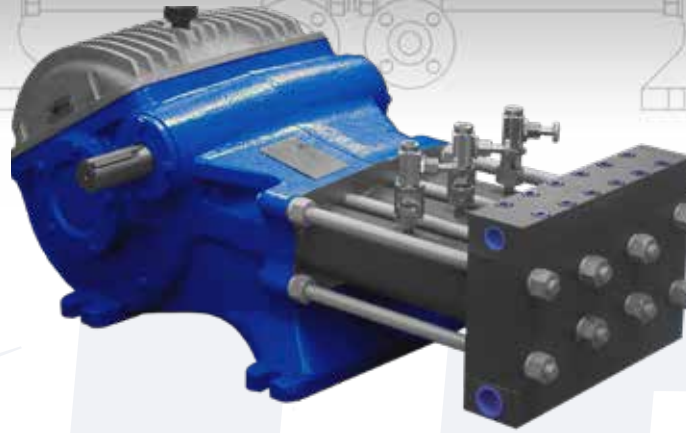
- Methanol Injection
- Hydrostatic Testing
- Chemical Injection
- Downhole Equalization
- Flushing
- HPU Charging
- Hydroforming

More

- Maximum Continuous Power 35 HP
- Maximum Intermittent Power 40 HP
- Maximum Continuous Input RPM 400 RPM
- Maximum Intermittent Input RPM 450 RPM
- 1.75" Stroke Length
- Available with 4-bolt SAE "C" female splined shaft for direct coupling of hydraulic motors

Plunger Dia.	Maximum Pressure PSI	Gallons Per Input Revolution	Volumes							
			450 RPM		400 RPM		100 RPM		50 RPM	
			GPM	BPD	GPM	BPD	GPM	BPD	GPM	BPD
3/8"	30,000*	.0025	1.12	38.39	1.00	34.28	.25	8.57	.12	4.11
7/16"	30,000*	.0034	1.53	52.44	1.36	46.62	.34	11.66	.17	5.83
1/2"	22,500*	.0044	1.98	67.89	1.76	60.34	.44	15.09	.22	7.54
5/8"	15,000	.0070	3.15	108.00	2.80	96.00	.70	24.00	.35	12.00
3/4"	10,000	.0100	4.50	154.29	4.00	137.14	1.00	34.29	.50	17.14
7/8"	8,000	.0137	6.16	211.00	5.48	188.00	1.37	47.00	.68	23.50

Above flowrates based upon 100% volumetric efficiency
 *Please consult with factory for pressures over 20,000 psi



Features

- Pressure to 38,000 psi*
- Internal Helical Gear Reduction
- Durable and Compact
- Splash or Pressurized Lubrication Systems
- Easy Field Maintenance
- High Output Efficiency
- Corrosion Resistant Hardware

Applications

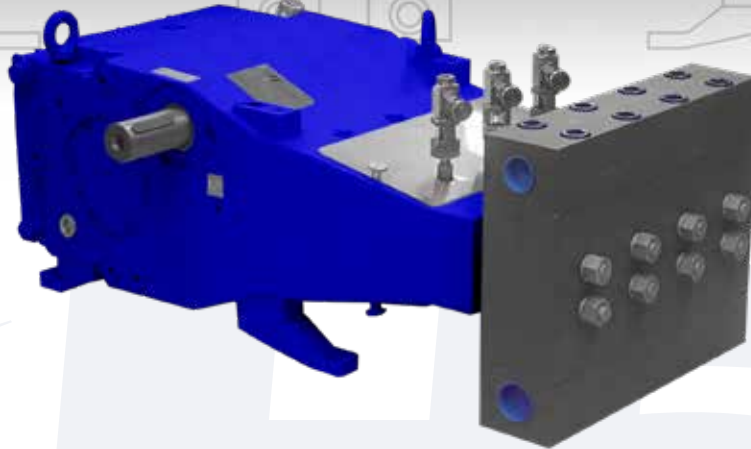
- Methanol Injection
- Hydrostatic Testing
- Chemical Injection
- Downhole Equalization
- Flushing
- HPU Charging

More

- Maximum Continuous Power 80 HP
- Maximum Intermittent Power 100 HP
- Internal Gear Ratio 3.95:1
- Maximum Continuous Input RPM 1430 RPM
- Maximum Intermittent Input RPM 2200 RPM
- 3.75" Stroke Length
- Available with 4-bolt SAE "C" female splined shaft for direct coupling of hydraulic motors

Plunger Dia.	Maximum Pressure PSI	Gallons Per Input Revolution	Volumes							
			2200 RPM		2000 RPM		1800 RPM		100 RPM	
			GPM	BPD	GPM	BPD	GPM	BPD	GPM	BPD
7/16"	38,000*	.00185	4.07	140	3.70	127	3.33	114	.19	6.34
1/2"	30,000*	.0024	5.28	181	4.80	165	4.32	148	.24	8.22
5/8"	22,500*	.0038	8.36	287	7.60	261	6.84	235	.38	13.03
3/4"	15,000	.0054	11.88	407	10.80	370	9.72	333	.54	18.51
7/8"	10,000	.0074	16.28	588	14.80	507	13.32	457	.74	25.37
1"	8,000	.0096	21.12	724	19.20	658	17.28	593	.96	32.91
1-1/8"	6,300	.0122	26.84	920	24.40	836	21.96	753	1.22	42.00
1-1/4"	5,000	.0151	33.22	1,139	30.20	1,244	27.23	1,121	1.51	51.77

Above flowrates based upon 100% volumetric efficiency
 *Please consult with factory for pressures over 20,000 psi



Features

- Pressure to 20,000 psi*
- Internal Helical Gear Reduction
- Durable and Compact
- Splash or Pressurized Lubrication Systems
- Easy Field Maintenance
- High Output Efficiency
- Corrosion Resistant Hardware

Applications

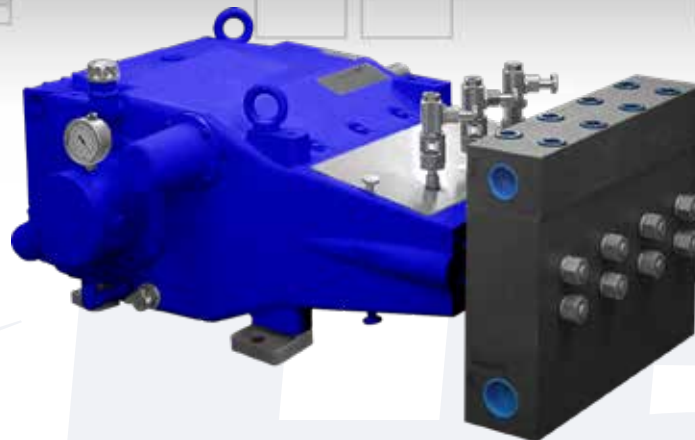
- Methanol Injection
- Hydrostatic Testing
- Chemical Injection
- Downhole Equalization
- Flushing
- HPU Charging
- Well Service

More

- Maximum Continuous Power 120 HP
- Maximum Intermittent Power 150 HP
- Internal Gear Ratio 3.69:1
- Maximum Continuous Input RPM 1350 RPM
- Maximum Intermittent Input RPM 2150 RPM
- 3.75" Stroke Length

Plunger Dia.	Maximum Pressure PSI	Gallons Per Input Revolution	Volumes							
			2150 RPM		2000 RPM		1800 RPM		100 RPM	
			GPM	BPD	GPM	BPD	GPM	BPD	GPM	BPD
3/4"	20,000*	.0059	12.68	435	11.80	405	10.62	364	.59	20.22
7/8"	15,000	.0080	17.20	590	16.00	549	14.40	494	.80	27.44
1"	11,300	.0105	22.58	774	21.00	720	18.90	648	1.05	36.00
1-1/8"	9,000	.0132	28.38	973	26.40	905	23.76	815	1.32	45.28
1-3/16"	8,100	.0146	31.40	1,076	29.20	1,001	26.28	901	1.46	48.60
1-1/4"	7,200	.0163	35.05	1,201	32.60	1,118	29.34	1,005	1.63	55.83
1-3/8"	6,000	.0197	42.36	1,452	39.40	1,350	35.48	1,216	1.97	67.56
1-1/2"	5,000	.0234	50.31	1,725	46.80	1,604	42.12	1,444	2.34	80.22

Above flowrates based upon 100% volumetric efficiency
*Please consult with factory for pressures over 20,000 psi



Features

- Pressure to 27,000 psi*
- Internal Helical Gear Reduction
- Durable and Compact
- Pressurized Lubrication System
- Easy Field Maintenance
- High Output Efficiency
- Corrosion Resistant Hardware

Applications

- Methanol Injection
- Hydrostatic Testing
- Chemical Injection
- Downhole Equalization
- Flushing
- HPU Charging
- Well Service

More

- Maximum Continuous Power 200 HP
- Maximum Intermittent Power 250 HP
- Internal Gear Ratio 4.52:1 (other ratios available)
- Maximum Continuous Input RPM 1600 RPM
- Maximum Intermittent Input RPM 2150 RPM
- 3.75" Stroke Length

Plunger Dia.	Maximum Pressure PSI	Gallons Per Input Revolution	Volumes							
			2100 RPM		2000 RPM		1800 RPM		100 RPM	
			GPM	BPD	GPM	BPD	GPM	BPD	GPM	BPD
3/4"	27,000*	.0050	10.00	343	9.52	326	8.57	294	.48	16.32
7/8"	25,000*	.0069	13.61	466	12.96	444	11.66	400	.65	22.21
1"	20,000	.0090	17.77	609	16.92	580	15.23	522	.85	29.01
1-1/8"	15,750	.0114	22.49	771	21.42	734	19.28	661	1.07	36.72
1-3/16"	14,000	.0127	25.00	857	23.80	816	21.42	734	1.19	40.80
1-1/4"	12,500	.0140	27.77	952	26.44	907	23.80	816	1.32	45.33
1-3/8"	10,500	.0170	33.60	1,152	32.00	1,097	28.80	987	1.60	54.85
1-1/2"	9,000	.0202	39.98	1,371	38.08	1,305	34.27	1,175	1.90	65.28

Above flowrates based upon 100% volumetric efficiency
*Please consult with factory for pressures over 20,000 psi